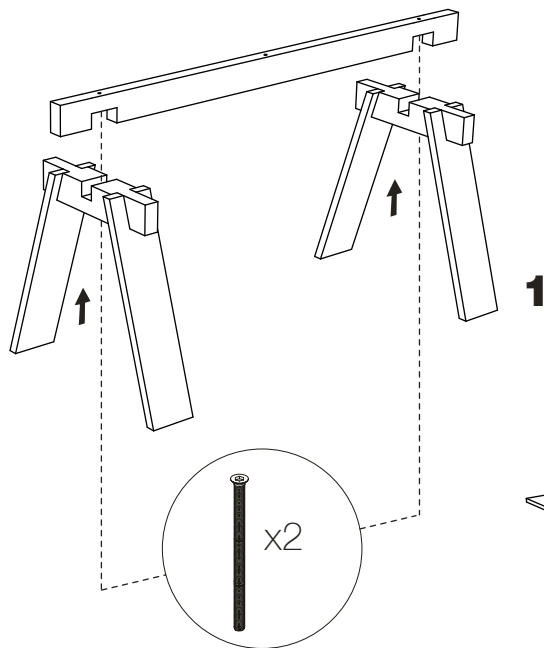
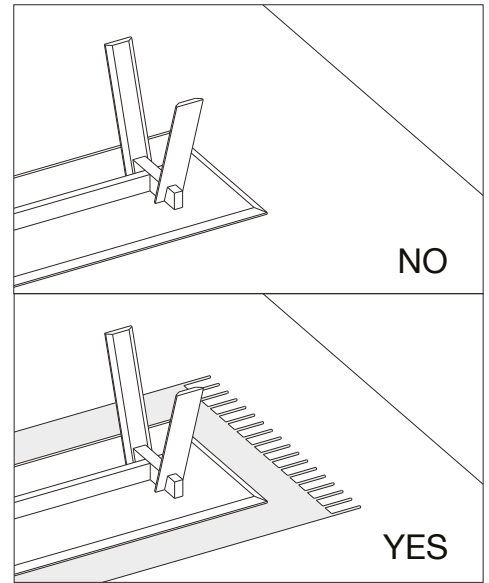
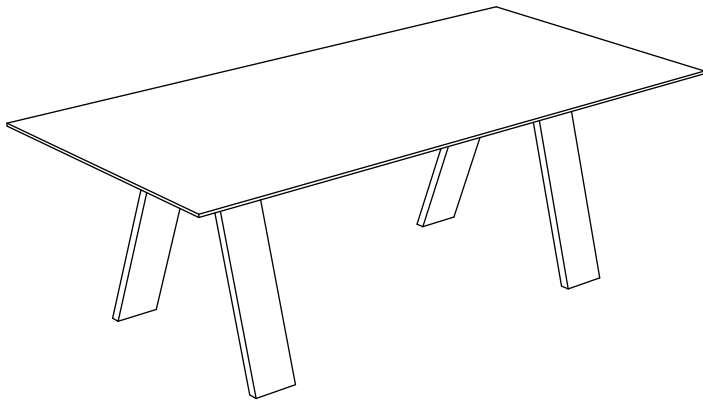
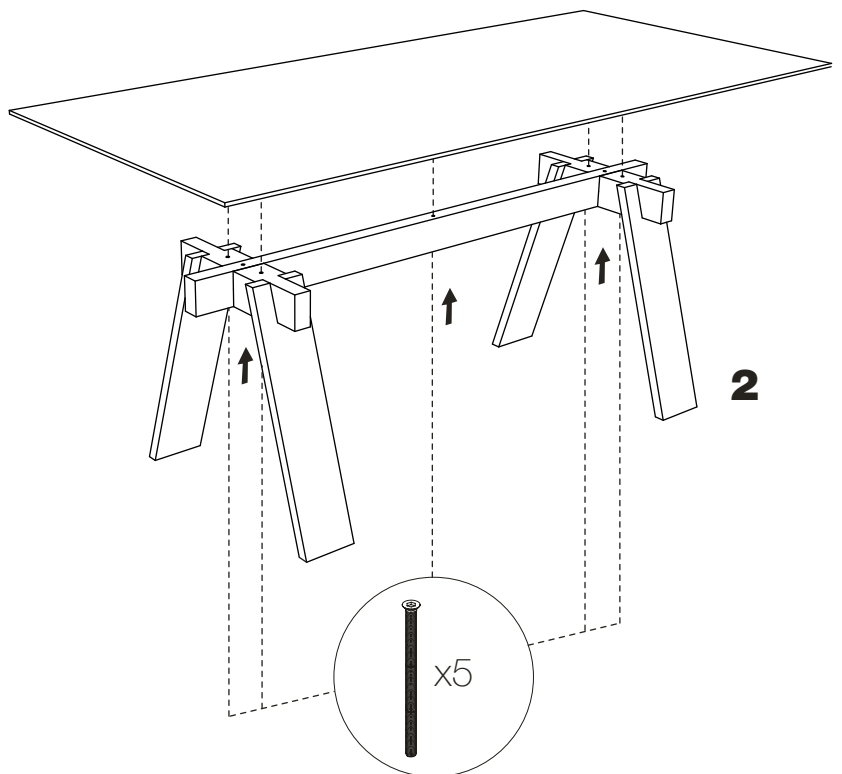


# TRAVE 2200x1000 branca®

Designed in Lisbon Made in Portugal [www.branca-lisboa.com](http://www.branca-lisboa.com)



**1**



**2**

x7



IMPORTANT: turn each screw progressively and independently

## IMPORTANT INFO

Branca products are manufactured combining digital technologies and manual production.

Each product is unique and may differ from each other, presenting small features typically seen on a handmade product.

Catalogue images may differ from actual product.

## CARE & MAINTENANCE

Never place hot objects directly onto the table. They will leave marks which cannot be removed afterwards.

Therefore, always use table mats.

### **Wood (veneer and solid wood) with standard finishing**

Keep clean with a cotton cloth.

Remove stains with a moist cloth or with some soapy water (without glycerin!!) or if necessary with a degreasing cleaner.

After this, clean the table well with clean water in order to eliminate all cleaning liquids previously used.

However, avoid the surface becoming too wet.

End with a dry cloth.

Always work in the direction on the grain of the wood. Never use wax, wax-containing substances or abrasives.

### **Wood (veneer and solid wood) with mat-natural finishing**

Same as standard finishing.

**Important:** mat-natural finish is more sensitive towards grease than standard finish. Therefore, the (daily) maintenance needs a little bit more attention.

Remove greasy spots - preferably immediately - with soapy water (without glycerin!!), with a degreasing cleaner.

Should this be not effective enough, you can also treat the spot with benzine for cleaning purposes.

**Important:** remove liquids preferably immediately, but in any case within 15 to 30 minutes!

Pollen fallen out of flowers have to be carefully dabbed by means of a piece of adhesive tape. Never rub out the pollen! **Spots caused by pollen cannot be removed any more.**

Furthermore, we would like to point out that certain objects do have (black) rubber feet (e.g. lamps, telephones, bowls, etc.) Some (colour) substances in rubber may cause spots in the mat-natural lacquer. These spots cannot be removed afterwards, and therefore we strongly advise you to use mats or felt in these cases.

